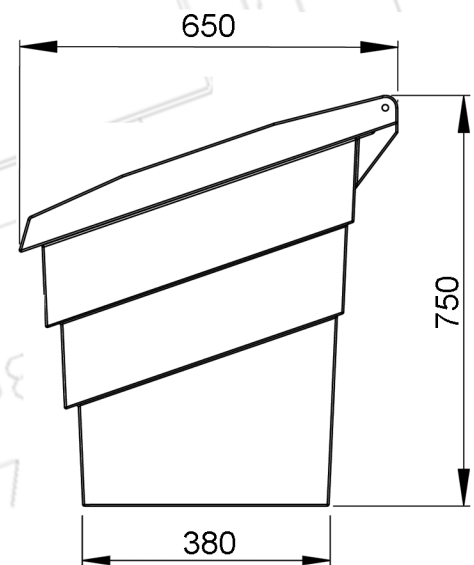
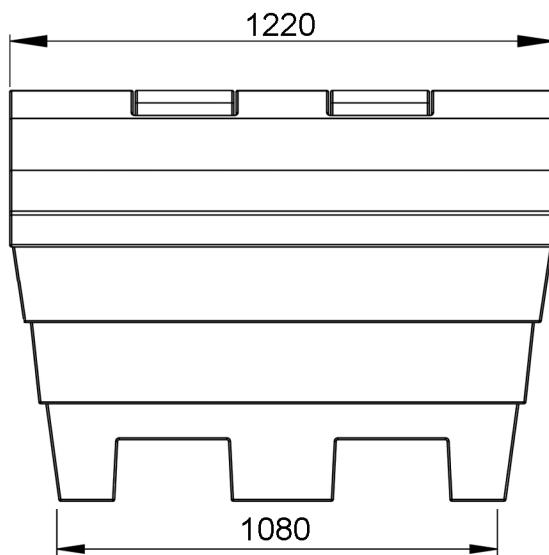
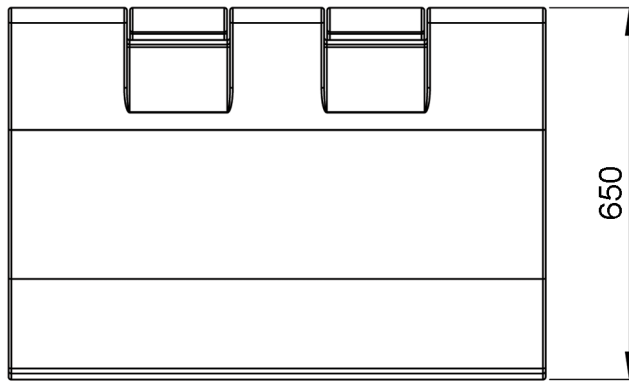




## Key facts

- Capacity: 350L approx.
- Weight: 20Kg (unladen).
- Wall thickness: 4mm nominal.
- Basic dimensions: 1220mm x 650mm x 750mm.
- Standard components: Lid & Body (assembled).
- Colours: various (refer to colour chart).
- Material: Medium Density Polyethylene.
- Cleaning instructions: only use warm soapy water.



[www.impbins.com](http://www.impbins.com)